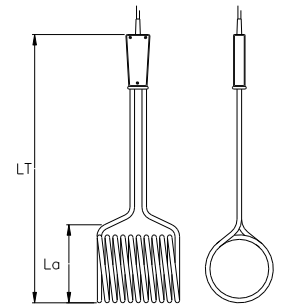


1. PORTABLE HEATING ELEMENTS FOR WATER

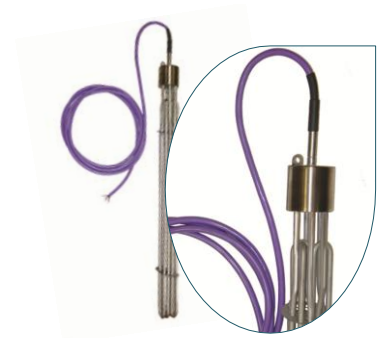
Ref.	W	V	A	Long.mm(LT)	Long.Active (L)
203H	1000	230	20	330	100
480H	1500	230	30	330	100
438H	2000	230	100	370	100
658H	2500	230	160	500	100



* Resistencias Tope manufactures and supplies any special dimension you need.

2. IMMERSION HEATERS FOR WINE INDUSTRY

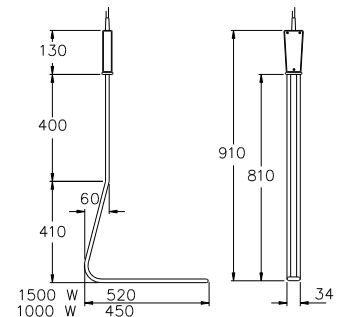
Ref.	W	V	Ø	Tube/Long. (mm)	Connetion/wire(mm)
6962H	6000	400III	58	IX316/ 900	IP65/5000



* Resistencias Tope manufactures and supplies any special dimension you need.

3. PORTABLE IMMERSION HEATERS FOR MINERAL OILS AND ORGANIC FLUIDS

Ref.	W	W/cm ²	V	Long.Inactiva mm(L)	Long.Active mm (A)
388-O	1000	4	230	810	100
321-O	1500	5	230	810	100



* Resistencias Tope manufactures and supplies any special dimension you need.

4. SPECIAL IMMERSION HEATING ELEMENTS FOR FOODSTUFF

Ref.	W	V	Long.Inactiva mm(L)	Long.Active mm(Ø)
2372-O	1000	230	975	315
2373-O	1500	230	975	490

* Resistencias Tope manufactures and supplies any special dimension you need.

